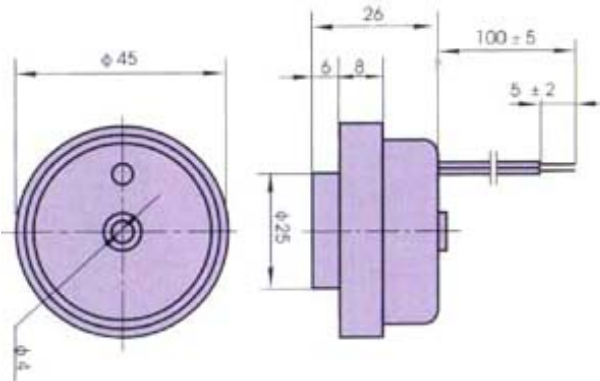
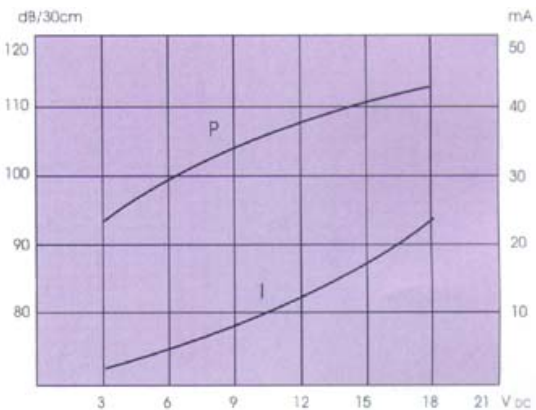




- **EFM-320D(320S, 320SS, 320P)**

**FEATURES:**

- High output
- Sealed type
- High reliability

**DIMENSIONS: (Unit: mm)****CHARACTERISTICS:****ELECTRICAL SPECIFICATIONS :**

Model No.	EFM-320D	EFM-320S	EFM-320SS	EFM-320P
Min. Sound Pressure Level (dB)	105(92)/12V <sub>DC</sub> /30cm	105/12V <sub>DC</sub> /30cm	100/24V <sub>DC</sub> /30cm	92/12V <sub>DC</sub> /30cm
Rated Voltage (V <sub>DC</sub> )	12	12	24	12
Operating Voltage (V <sub>DC</sub> )	3 ~ 16	3 ~ 16	3 ~ 28	3 ~ 16
Max. Consumption (mA)	35(20)/12V <sub>DC</sub>	35 /12V <sub>DC</sub>	35 /24V <sub>DC</sub>	20 /12V <sub>DC</sub>
Oscillating Frequency	2.9 ± 0.5	2.9 ± 0.5	2.9 ± 0.5	2.9 ± 0.5
Tone Nature	Continuous/Pulse	Continuous	Continuous	Pulse
Operating Temperature (°C)	-20 ~ +70			
Weight (g)	22			
Case Material/Colour	Fire-resistance ABS/White			

**PACKING INFORMATION :**

Packing:	500 pcs per export carton
Carton Size:	48 X 27.5 X 33 cm
G. Weight:	12.5 kgs
N. Weight:	11 kgs