

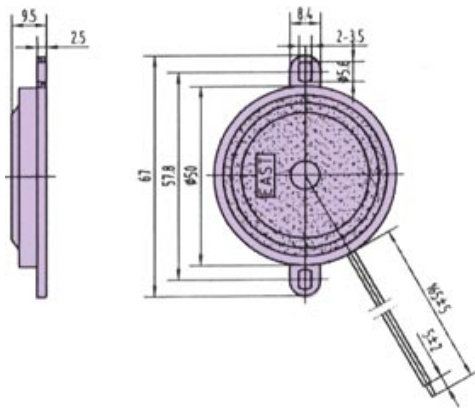
• **TFM-21**



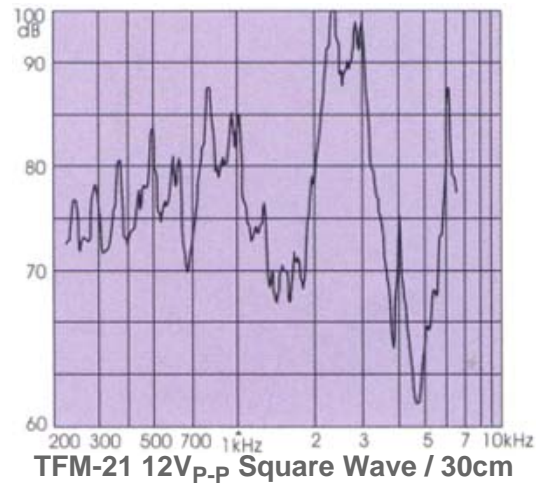
FEATURES:

- Low frequency
- Low current drain
- Light and compact

DIMENSIONS: (Unit: mm)



CHARACTERISTICS:



ELECTRICAL SPECIFICATIONS :

| Model No. | TFM-21 |
|---|--|
| Min. Sound Pressure Level (dB) | 80 /0.9kHz/12V _{p-p} Square Wave / 30cm |
| Max. Consumption (mA) | 4 /0.9kHz/12V _{p-p} Square Wave |
| Resonant Frequency (kHz) | 0.9 ± 0.5 |
| Capacitance at 120Hz (nF) | 85 ± 30% |
| Allowable Input Voltage (V _{p-p}) | 40 |
| Operating Temperature (°C) | -20 ~ +70 |
| Weight (g) | 11 |
| Case Material/Colour | ABS/Black |

PACKING INFORMATION :

| | |
|---------------|----------------------------|
| Packing : | 1000 pcs per export carton |
| Carton Size : | 47 X 30.5 X 21 cm |
| G. Weight : | 13 kgs |
| N. Weight : | 11.5 kgs |

• **TFM-59DA₁(DA₂)**

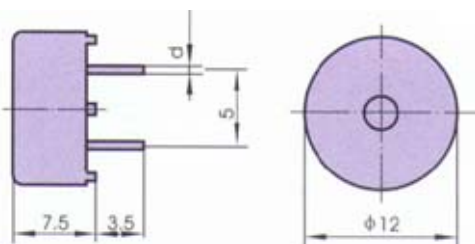


FEATURES:

- Super mini size
- Low current consumption
- High output

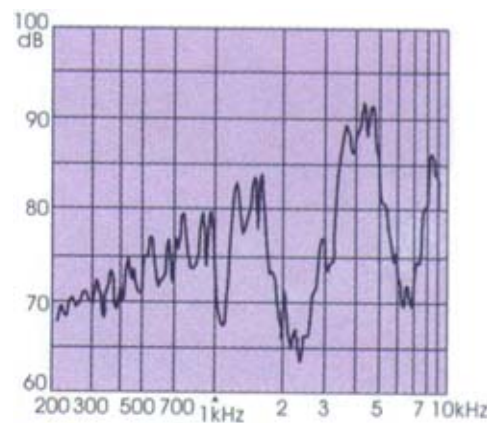
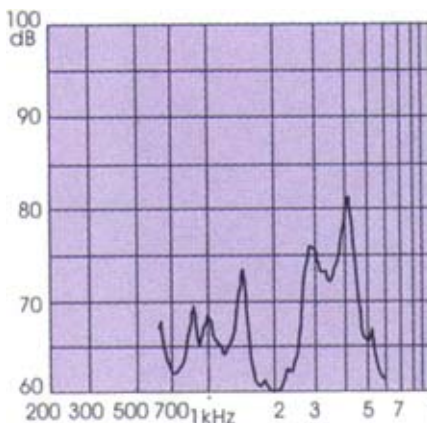
| | |
|-------------------|--------|
| TFM59DA-1 | d=Ø0.8 |
| TFM-59DA-2 | d=Ø0.7 |

DIMENSIONS: (Unit: mm)



TFM-59D

CHARACTERISTICS:



TFM-59DA-1 3V_{P-P} Square Wave /10cm TFM-59DA-2 12V_{P-P} Square Wave /10cm

| ELECTRICAL SPECIFICATIONS : | | |
|---|---|--|
| Model No. | TFM-59DA-1 | TFM-59DA-2 |
| Min. Sound Pressure Level (dB) | 70/4.0kHz/3V _{P-P} Square Wave /10cm | 80/4.0kHz/12V _{P-P} Square Wave /10cm |
| Max. Consumption (mA) | 3/4.0kHz/3V _{P-P} Square Wave | 6/4.0kHz/12V _{P-P} Square Wave |
| Resonant Frequency (kHz) | 4.0 ± 0.5 | |
| Capacitance at 1000Hz (nF) | 11 ± 30% | |
| Allowable Input Voltage (V _{P-P}) | 25 | |
| Operating Temperature (°C) | -20 ~ +70 | |
| Weight (g) | 1 | |
| Case Material/Colour | PC/Black | |
| PACKING INFORMATION : | | |
| Packing : | 5000 pcs per export carton | |
| Carton Size : | 47 X 30.5 X 25 cm | |
| G. Weight : | 6.5 kgs | |
| N. Weight : | 5 kgs | |