

DC AXIAL FAN

JAMICON®

120X120X25 mm

JF1225-00 Series

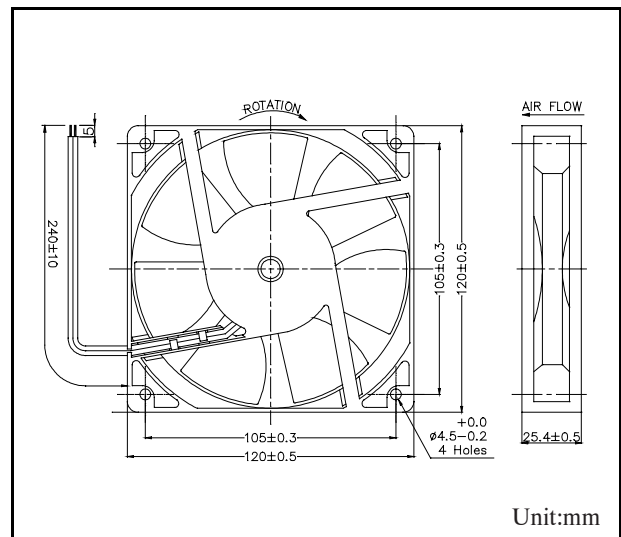
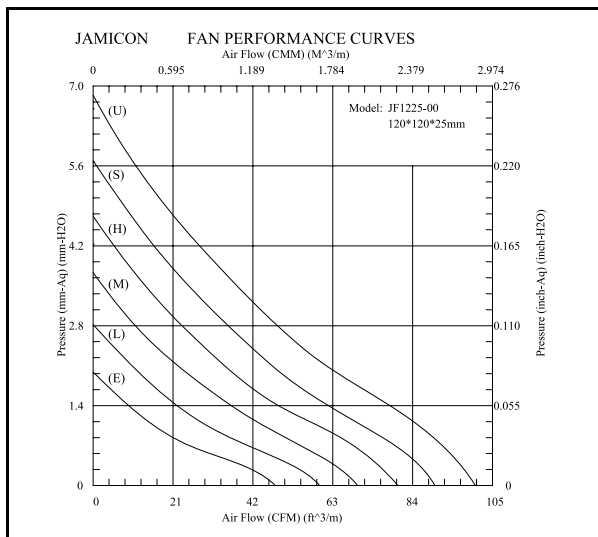


- **Frame** : Plastic Material UL 94V-0
- **Impeller** : Plastic Material UL 94V-0
- **Speed Range** : ±10%

SPECIFICATIONS											
Model	Bearing	Rated Voltage (V)	Operating Voltage (V)	Air Flow (CFM)	Static Pressure (inchH ₂ O)	Speed (R.P.M.)	Input Current (Amp)	Input Power (Watt)	Nominal Current (Amp)	Noise (dBA)	Weight (g)
JF1225B1UR	Dual Ball	12	10.2 ~ 13.8	100.50	0.269	3000	0.50	6.00	0.50	45.7	205
JF1225B1SR				89.87	0.224	2700	0.37	4.44	0.37	42.8	
JF1225-1H	B, S			80.11	0.186	2400	0.25	3.00	0.30	39.5	
JF1225-1M	B, S			69.57	0.147	2100	0.20	2.40	0.25	36.3	
JF1225-1L	B, S			59.57	0.111	1800	0.14	1.68	0.20	32.4	
JF1225-1E	B, S			47.88	0.078	1500	0.10	1.20	0.12	27.4	
JF1225B2UR	Dual Ball			24	20.4~ 27.6	100.50	0.269	3000	0.28	6.72	
JF1225B2SR		89.87	0.224			2700	0.21	5.04	0.21	42.8	
JF1225-2H	B, S	80.11	0.186			2400	0.20	4.80	0.25	39.5	
JF1225-2M	B, S	69.57	0.147			2100	0.14	3.36	0.20	36.3	
JF1225-2L	B, S	59.57	0.111			1800	0.11	2.64	0.15	32.4	
JF1225-2E	B, S	47.88	0.078			1500	0.08	1.92	0.10	27.4	
JF1225B4UR	Dual Ball	48	40.8 ~ 60.0			100.50	0.269	3000	0.14	6.72	
JF1225B4SR				89.87	0.224	2700	0.12	5.76	0.12	42.8	
JF1225B4HR				80.11	0.186	2400	0.10	4.80	0.10	39.5	
JF1225B4MR				69.57	0.147	2100	0.08	3.84	0.08	36.3	
JF1225B4LR				59.57	0.111	1800	0.07	3.36	0.07	32.4	
JF1225B4ER				47.88	0.078	1500	0.06	2.88	0.06	27.4	

Specifications subject to change without notice

The 7TH character of Model No means the bearing code. Please refer to the page "PART NUMBER SYSTEM". Please contact us for detail if your request bearing system is not shown in the above list.



Unit:mm