



- Ultra Miniature Size
- 10A, 5A switching Capability
- SPST-NO and SPDT configuration
- Surge resistiveness of 5000V
- Sealing Construction.
- UL/C-UL recognized.

## SPECIFICATIONS

### Contact

	WJ105 (0.45W)	WJ105 (0.2W)
Arrangement	1 A, 1C	
Contact Material	Silver alloy	
Contact Resistance (By voltage 6V 1A)	Max.100mΩ	
UL/C-UL Rating	10A 120VAC	5A 120VAC
Resistive load (cosφ=1)	5A 250VAC	3A 250VAC
General use (cosφ=0.75~0.8)	5A 28VDC	3A 28VDC
	1.5A 250VAC	1A 250VAC
Max. Switching voltage	265VAC	30VDC
Max. Switching current	10A	5A
Max. Switching power	1200VA150W	720VA 90W
Expected life(min.ope) Mechanical(at 120 cpm)	1×10 <sup>7</sup> 1×10 <sup>5</sup>	
Electrical (at 20 cpm)		

### Characteristics

		WJ105 (0.45W)	WJ105(0.2W)
Operate Time		Max.10msec.	Max.15msec.
Release Time		Max.4msec.	
Operating humidity		45 to 85% RH	
Initial breakdown voltage Between coil & contact Between open contacts		3,000VAC (50/60Hz)for 1 min. 1,000VAC (50/60Hz)for 1 min.	
Insulation Resistance		Min. 1000MΩ (500 VDC)	
Ambient temperature		-30°C~+55°C	-30°C~+80°C
Shock Resistance	Functional	Min. 10G	
	Destruction	Min. 100G	
Vibration Resistance	Functional	10 to 55 Hz at double Amplitude of 1.5mm	
	Destruction	10 to 55 Hz at double Amplitude of 1.5mm	
Insulation withstand voltage		5000V 1.2×50μs	
Unit weight		Approx.9g	

### Coil

Nominal operating power	0.2 to 0.45W
-------------------------	--------------

**TYPICAL APPLICATION :** 1.Openers, Emergency lighting equipment, air conditioners.  
2.Home appliances, Programmable controllers, Garage door etc

## ORDERING INFORMATION

e. g.

**WJ105- 1 A - 12VDC 45Ω**

①      ②      ③      ④      ⑤

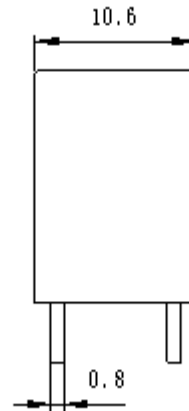
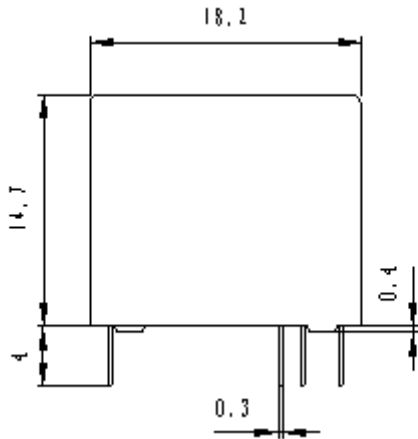
Relay Series	Contact Arrangement:	Coil Voltage:	coil power
WJ105	1A: SPST-NO 1C: SPDT	DC: 3, 5, 6, 9, 12, 24, 48V	Nil: 0.45W coil power 45Ω,125Ω,180Ω,400Ω,720Ω,2800Ω, 11520Ω: 0.2W coil power

# COIL DATA (at 20°C)

Nominal Voltage (VDC)	Nominal Current (mA)	Coil Resistance ( $\Omega$ ) $\pm$ 10%	Power Consumption (W)	Pull-in Voltage (VDC)	Drop-out Voltage (VDC)	Max. Allowable Voltage (VDC)
3	150.0	20	0.45	75%Max.	5%Min.	130% of nominal voltage
5	91.0	55				
6	75.0	80				
9	50.0	180				
12	37.5	320				
24	18.8	1280				
48	9.4	5100	0.20	75%Max.	5%Min.	130% of nominal voltage
3	67.0	45				
5	40.0	125				
6	33.3	180				
9	22.5	400				
12	16.7	720				
24	8.16	2800				

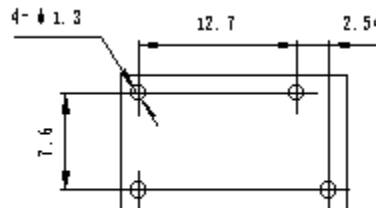
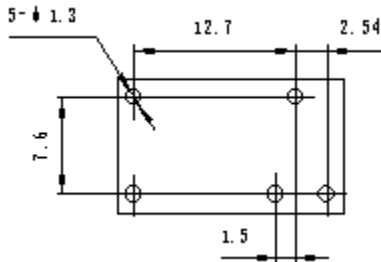
## DIMENSIONS

Unit: mm



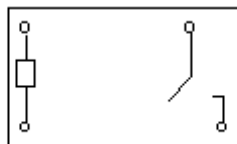
## PCB LAYOUT

( $T=2.52\pm 0.02\text{mm}$ )



## SCHEMATIC

1A (SPST-NO)



1C (SPDT)

