

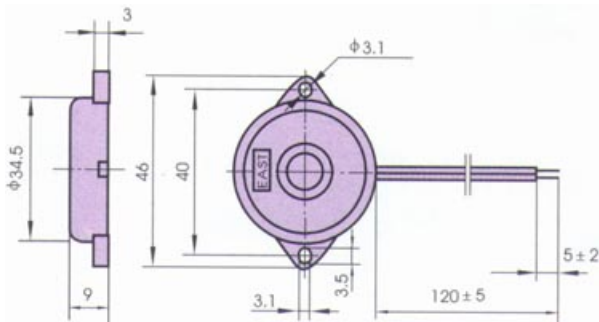
• **TFM-03(03K)**



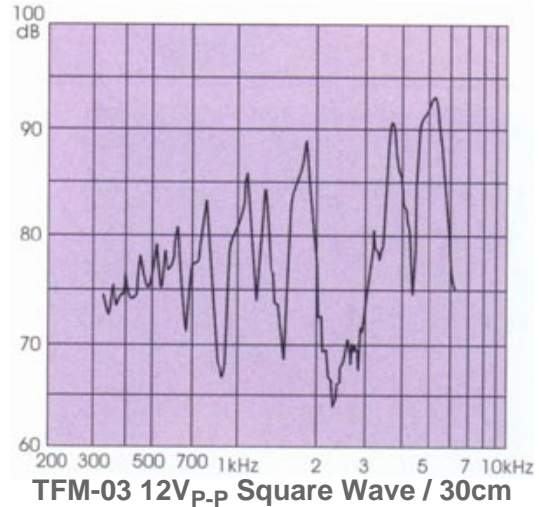
FEATURES:

- Low frequency
- Low current drain
- Light and compact

DIMENSIONS: (Unit: mm)



CHARACTERISTICS:



ELECTRICAL SPECIFICATIONS :		
Model No.	TFM-03	TFM-03K
Min. Sound Pressure Level (dB)	75/1.0kHz/12V _{P-P} Square Wave / 30cm	
Max. Consumption (mA)	3/1.0kHz/12V _{P-P} Square Wave	
Resonant Frequency (kHz)	1.0 ± 0.5	
Capacitance at 120Hz (nF)	45 ± 30%	80 ± 30%
Allowable Input Voltage (V _{P-P})	40	
Operating Temperature (°C)	-20 ~ +70	
Weight (g)	4.8	
Case Material/Colour	ABS/Black	
PACKING INFORMATION :		
Packing :	2000 pcs per export carton	
Carton Size :	47 X 30.5 X 25 cm	
G. Weight :	11.5 kgs	
N. Weight :	10 kgs	

• **TFM-59DA₁(DA₂)**

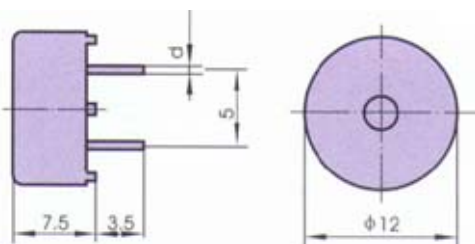


FEATURES:

- Super mini size
- Low current consumption
- High output

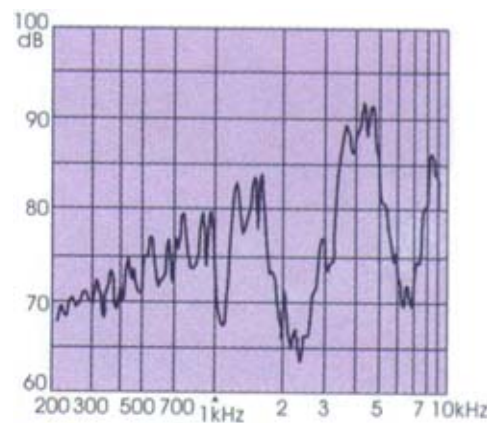
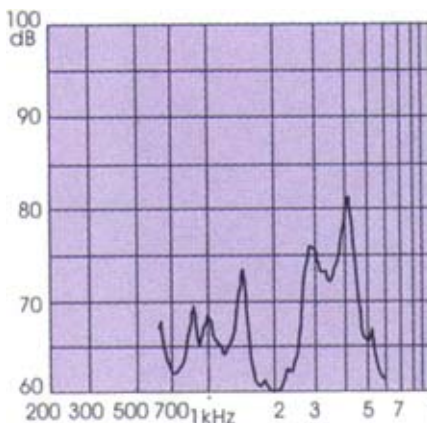
TFM59DA-1	d=Ø0.8
TFM-59DA-2	d=Ø0.7

DIMENSIONS: (Unit: mm)



TFM-59D

CHARACTERISTICS:



TFM-59DA-1 3V_{p-p} Square Wave /10cm TFM-59DA-2 12V_{p-p} Square Wave /10cm

ELECTRICAL SPECIFICATIONS :

Model No.	TFM-59DA-1	TFM-59DA-2
Min. Sound Pressure Level (dB)	70/4.0kHz/3V _{p-p} Square Wave /10cm	80/4.0kHz/12V _{p-p} Square Wave /10cm
Max. Consumption (mA)	3/4.0kHz/3V _{p-p} Square Wave	6/4.0kHz/12V _{p-p} Square Wave
Resonant Frequency (kHz)	4.0 ± 0.5	
Capacitance at 1000Hz (nF)	11 ± 30%	
Allowable Input Voltage (V _{p-p})	25	
Operating Temperature (°C)	-20 ~ +70	
Weight (g)	1	
Case Material/Colour	PC/Black	

PACKING INFORMATION :

Packing :	5000 pcs per export carton
Carton Size :	47 X 30.5 X 25 cm
G. Weight :	6.5 kgs
N. Weight :	5 kgs