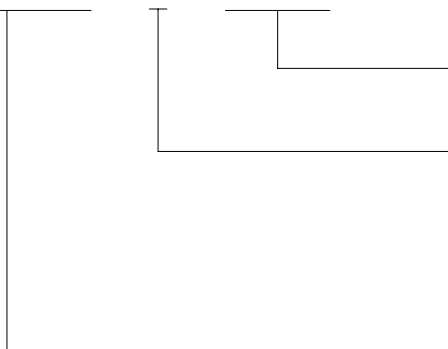


## ORDERING CODE 订购代码

HLS-4078 - H - DC12V



NOMINAL VOLTAGE

DC3V,DC5V,DC6V,DC9V,DC12V,DC24V,DC48V

COIL

H ... HIGH POWER |0.36W|

NIL...STANDARD |0.2W|

M.....HIGH SENSITIVE |0.15W|

B.....0.45W

TYPE

## CONTACT DATA 触点参数:

Contact Form	触点形式	2C
Contact Material	触点材料	Ag+Au
Contact Ratings	触点负载	1A 120VAC;2A/24VDC
Max Switching Voltage	最大转换电压	240VAC/60VDC
Max Switching Current	最大转换电流	2A
Max Switching Power	最大转换功率	120VA/30W
Initial Contact Resistance	接触电阻 (首次)	50m Ω Max at 6VDC 1A
Life Expectancy Electrical	电气寿命	100,000 Operations(rated load)
Life Expectancy Mechanical	机械寿命	10,000,000 Operations(no load)

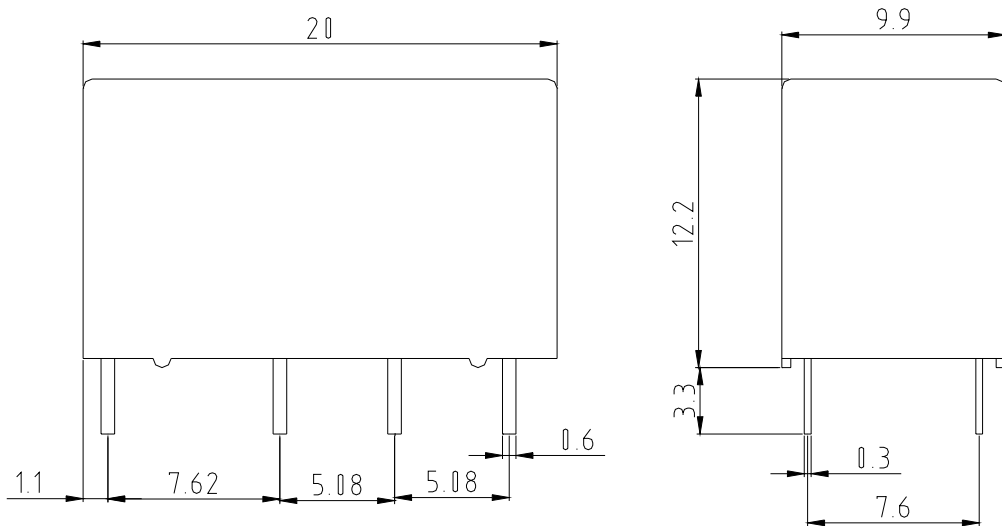
## GENERAL DATA 一般参数:

Insulation Resistance	绝缘阻值	100M Ω Min at500VDC
Dielectric Strength Between Open Contacts	触点间耐压	500VAC 50-60HZ (1 minute)
Dielectric Strength Between Contacts And Coil	触点与线圈间耐压	1000VAC 50-60HZ (1 minute)
Operate Time	吸合时间	6ms max
Release Time	释放时间	4ms max
Ambient Temperature	环境温度	-30°C to+70°C
Shock Resistance 冲击	Malfunction 动作极限	10G
	Destruction 破坏极限	15G
Vibration Resistance	振动	10-55Hz,1.5mm double amplitude
Ambient humidity	湿度	40-85% RH
Weight	重量	Approx 5g
Safety Standard	安全标准	UL CE CQC

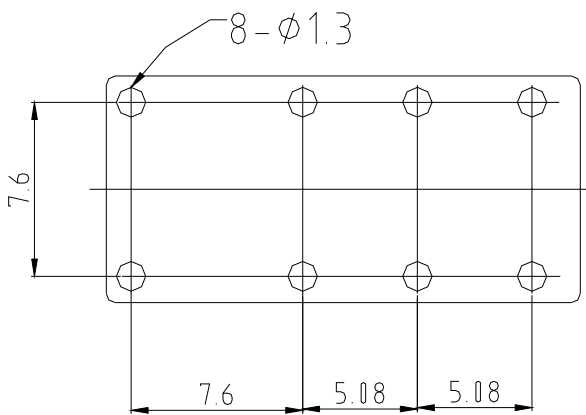
**COIL DATA 线圈参数: (@20°C)**

Rated Voltage 额定电压 (VDC)	线圈阻值 $\Omega$ ( $\pm 10\%$ )				Max Operate Voltage 最大吸合电压 (VDC)	Min Release Voltage 最小释放电压 (VDC)	Max Applied Voltage 最大负载电压 (VDC)
	0.15W	0.2W	0.36W	0.45W			
3	60	45	25	20	2.25	0.15	3.9
5	167	125	70	50	3.75	0.25	6.5
6	240	180	100	80	4.5	0.3	7.8
9	540	405	225	180	6.75	0.45	11.7
12	960	720	400	320	9	0.6	15.6
24	38400	2800	1600	1280	18	1.2	31.2
48	-	11520	6400	5100	36	2.4	62.4

Outline Dimension 外形尺寸 (mm)

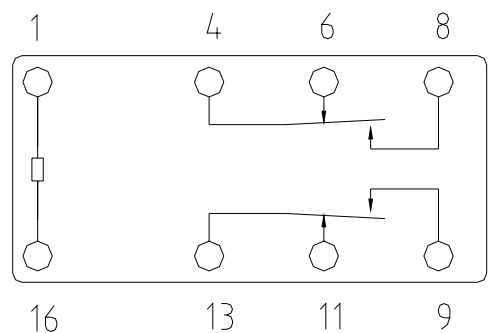


PC Board layout 安装图



(Bottom View)底视

Wiring Diagram 接线图



(Bottom View)底视