



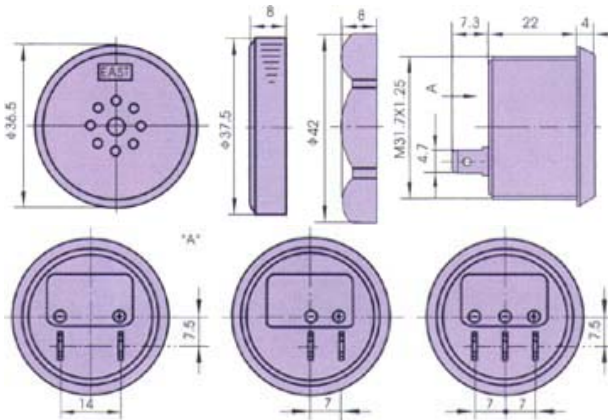
- FM-12H-900



FEATURES:

- High output
- High reliability
- Sound control

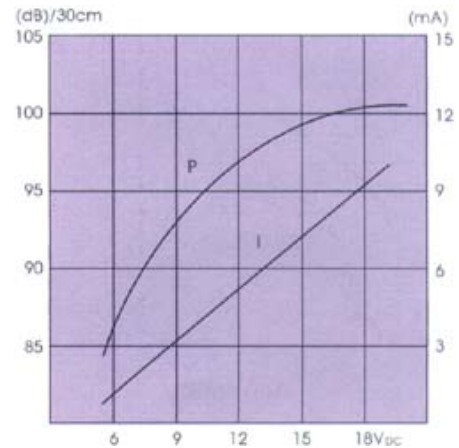
DIMENSIONS: (Unit: mm)



FM-12H-900

FM-12H-901
FM-12H-903FM-12H-905
FM-12H-907

CHARACTERISTICS:



ELECTRICAL SPECIFICATIONS :

Model No .	FM-12H-900	FM-12H-901	FM-12H-903	FM-12H-905	FM-12H-907
Min. Sound Pressure Level (dB)	90 /12V _{DC} /30cm				
Rated Voltage (V _{DC})	12				
Operating Voltage (V _{DC})	5 ~ 28				
Max. Consumption (mA)	10 /12V _{DC}				
Oscillating Frequency (kHz)	3.0 ± 0.5				
Tone Nature	Continuous	Fast Pulse	Slow Pulse	Continuous+ Fast pulse	Continuous+ Slow pulse
Operating Temperature (°C)	-20 ~ +70				
Case Material/Colour	PC/Black				

PACKING INFORMATION :

Packing :	300 pcs per export carton
Carton Size :	47 X 30.5 X 23 cm
G. Weight :	8.5 kgs
N. Weight :	7.4 kgs