

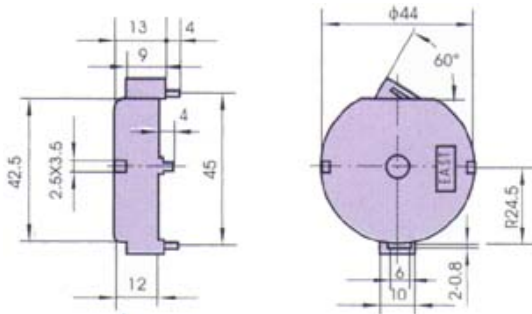
TFM-63



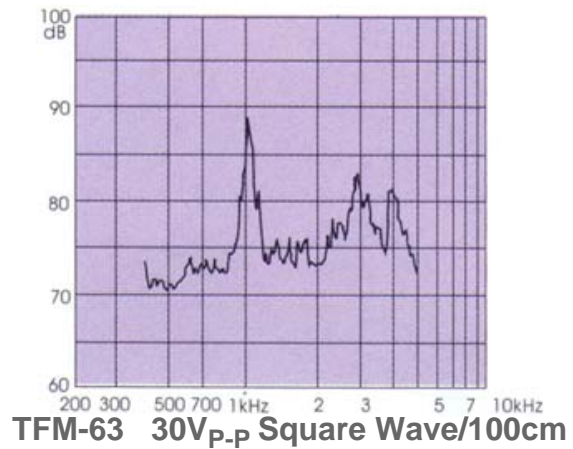
FEATURES:

- Low frequency
- Low current drain
- Light and compact
- Light weight
- Clear sound

DIMENSIONS: (Unit: mm)



CHARACTERISTICS:



ELECTRICAL SPECIFICATIONS :

Model No.	TFM-63
Min. Sound Pressure Level (dB)	70/1.0kHz/30V _{p-p} Square Wave /100cm
Resonant Frequency (kHz)	1.0 ± 0.3
Capacitance at 120Hz (nF)	68 ± 30%
Allowable Input Voltage (V _{p-p})	40
Operating Temperature (°C)	-20 ~ +70
Weight (g)	10
Case Material/Colour	ABS/Black

PACKING INFORMATION :

Packing :	720 pcs per export carton
Carton Size :	47.5 X 30.5 X 32.5 cm
G. Weight :	8.5 kgs
N. Weight :	7.0 kgs