



Waterproof 4 Leds Module adopts highly bright piranha LED whose chip is from famous international company. These LEDs are set so closely on the PCB board that the module could achieve very high intensity.

Wires come out from the bottom of the module. ABS housing filled with epoxy can achieve protect class IP67.

Available color: Red, Yellow, Blue, Green, White, Warm White, etc.

This product could be widely used for channel letters, signs, logos, etc.

Waterproof 4Leds Module

Part No.: IMG-M4X-JF



Specification:

Size: 28*28*12mm

Weight: 13g

Beaming Angle: >90°

Electric Specs:

IP Class: IP67

Input Voltage: 12VDC

Power Consumption: 0.48W / PC

Maximum Length of One Loop: 50pcs

Power Supply: waterproof 30W-12V-2.5A;
60W-12V-5A; 150W-12V-12.5A
non-waterproof 55W-12V-4.6A,
150W- 12V-12.5A; 300W-12V-25A

Green ,Energy Saving

Low voltage, DC12V, high brightness

Conforming to international standard

Absolutely safe and stable

Save 90% electricity compared to traditional lights

Longevity of Luminous Body:

All LED lights adopt super bright LED as their luminous body. Theoretically, the longevity of LED could be 50,000-100,000 MTBF (Mean Time Between Failure: average fault-free time, the standard usually measured by manufacturer of traditional lights). Like traditional lighting products, the lumen of LED will also decrease as time goes on. LED lumen is influenced by environmental factors such as temperature, humidity, and ventilation condition. It also could be impacted by its design on heat sinking, current control, etc. To some extent, these

IMAGEY LIGHTING CO., LTD

Address: No. 1058 Deng Hui Road, Min Hang District, Shanghai, China (201109)

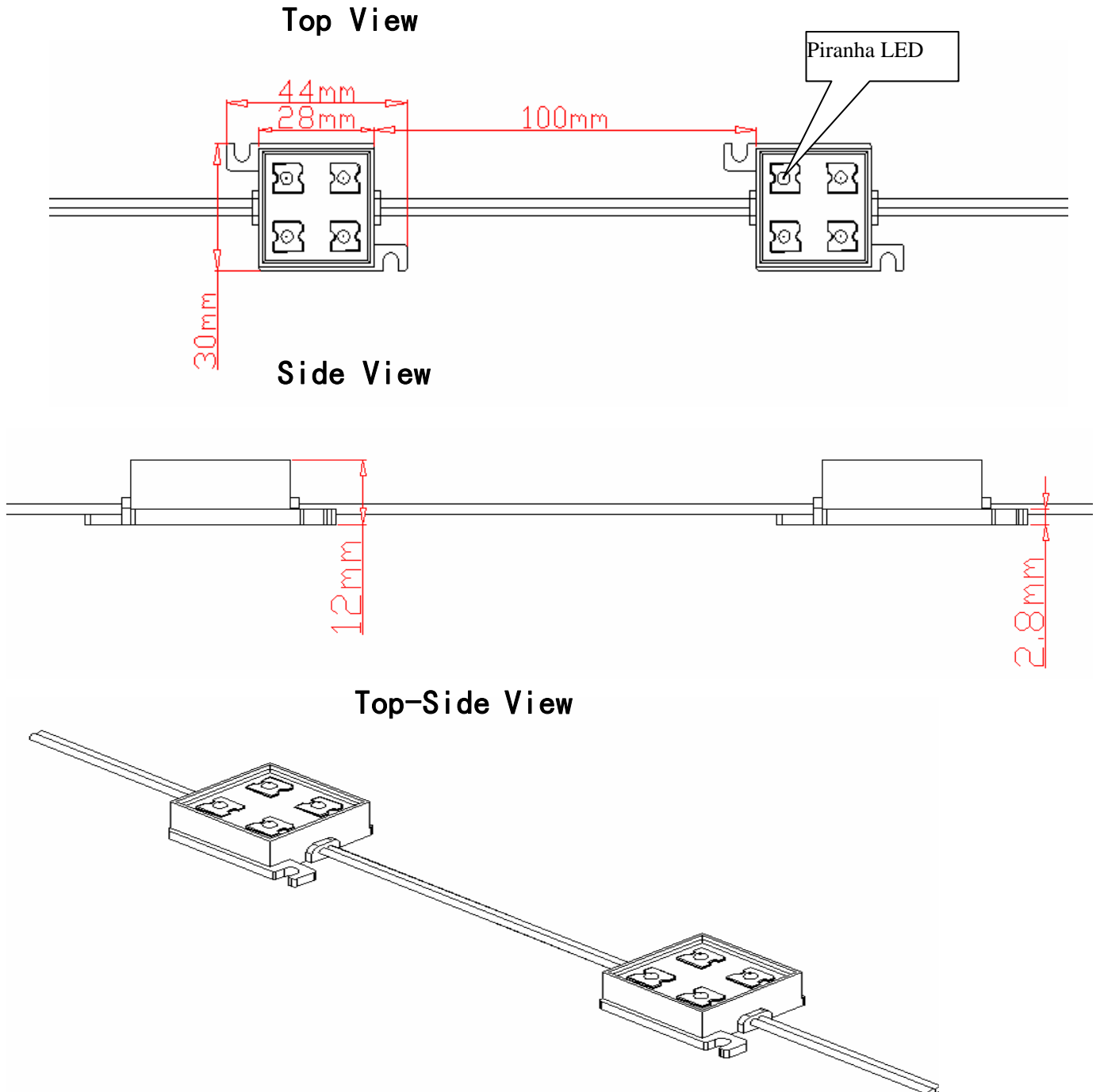
Tel: (86) 21-6490 8790 Fax: (86)21-6490 8780

Email: market@imagey.com [Http://www.imagey.com](http://www.imagey.com)

Module Lighting Series

factors are the main ones on LED longevity.

Diagram:



IMAGEY LIGHTING CO., LTD

Address: No. 1058 Deng Hui Road, Min Hang District, Shanghai, China (201109)

Tel: (86) 21-6490 8790 Fax: (86)21-6490 8780

Email: market@imagey.com

[Http://www.imagey.com](http://www.imagey.com)

Module Lighting Series



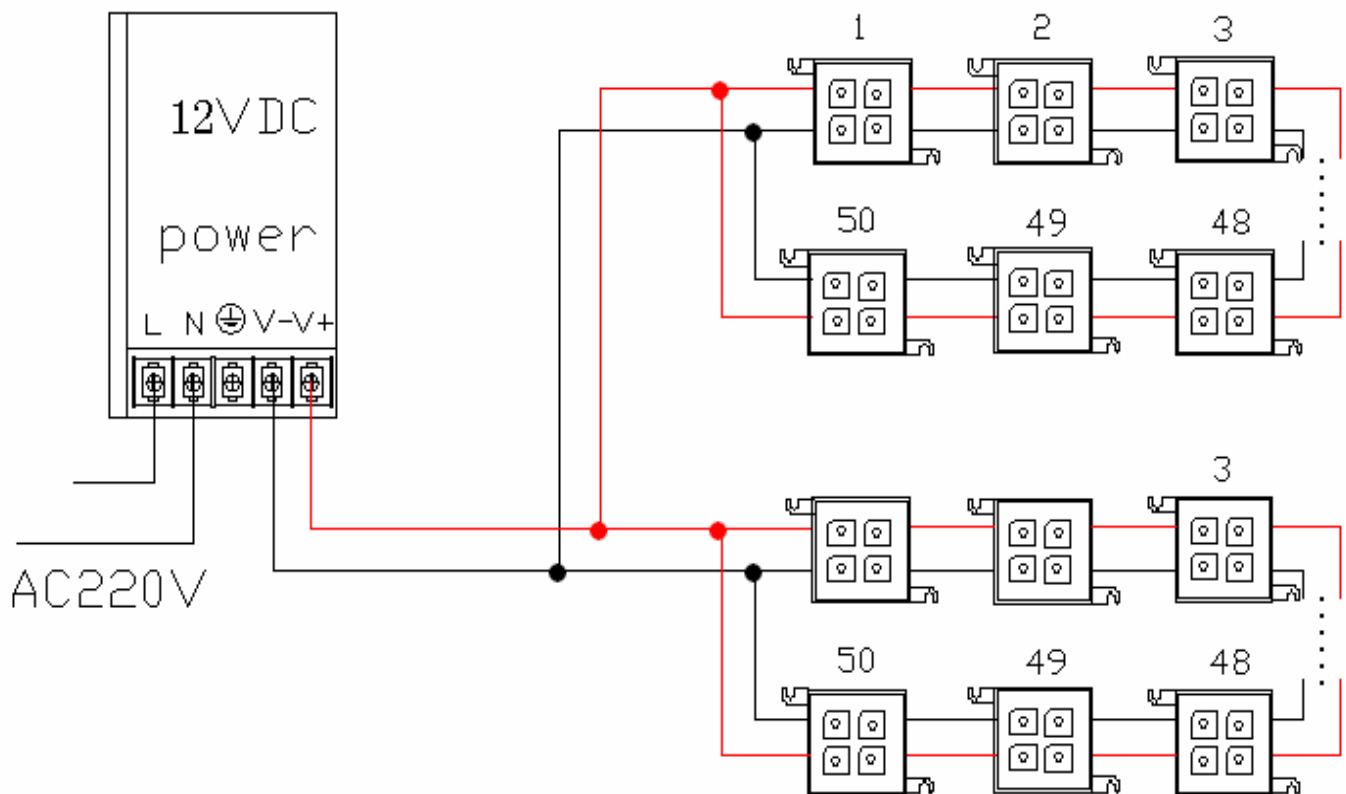
ATTENTION

To ensure the longevity and stability of the module, please do not hit or beat it forcibly.



WARNING

- * Do not touch INPUT PORT when power is on.
- * Please leave 20% power free to protect the brightness of module from being influenced by environments.
- * Install this module at desired installation spot.
- * Please note the negative and positive polarity when you link wires of power supply to avoid short circuit.
- * Make sure the output voltage of power supply is of the same with module's operating voltage.



IMAGEY LIGHTING CO., LTD

Address: No. 1058 Deng Hui Road, Min Hang District, Shanghai, China (201109)

Tel: (86) 21-6490 8790 Fax: (86)21-6490 8780

Email: market@imagey.com [Http://www.imagey.com](http://www.imagey.com)